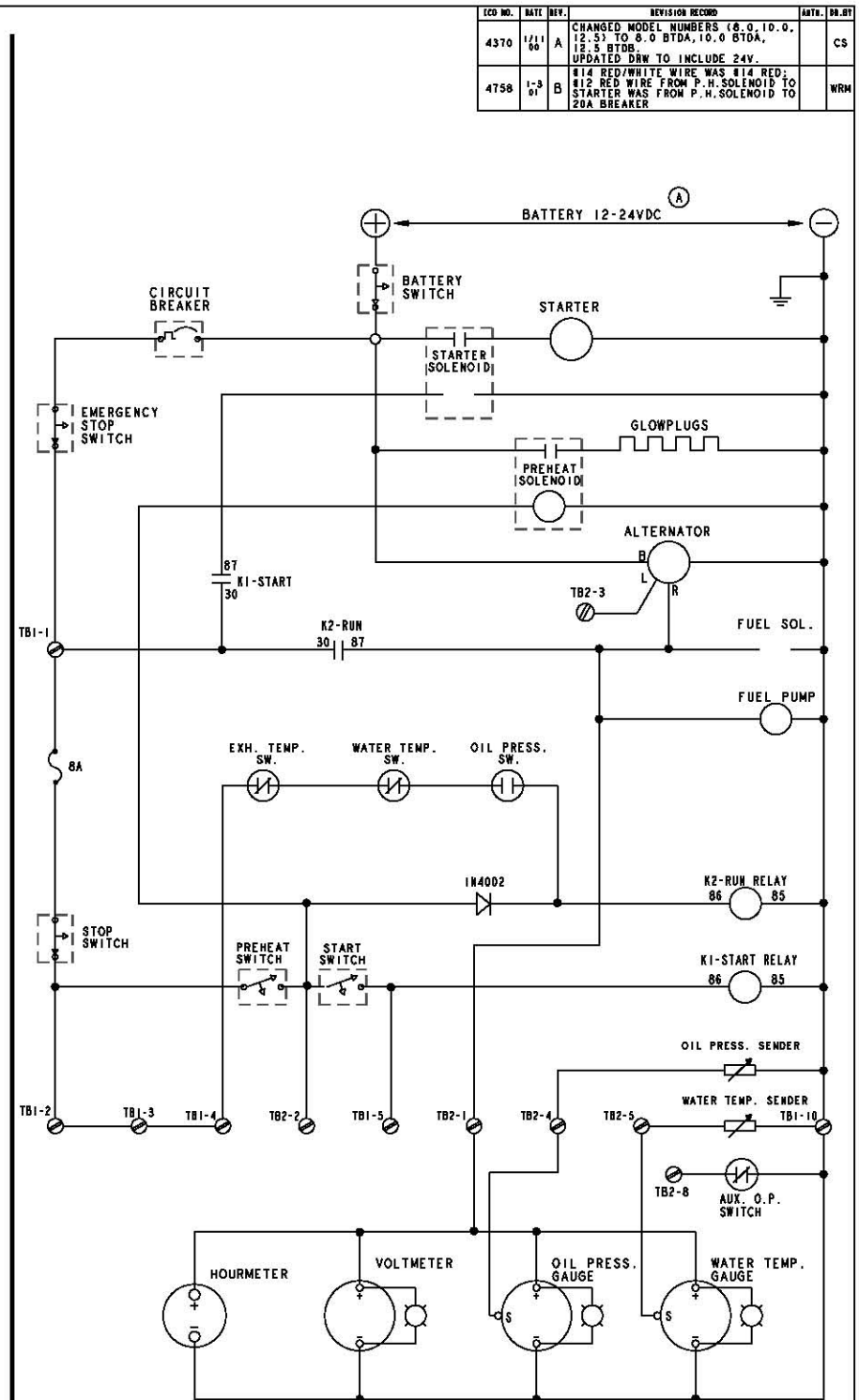
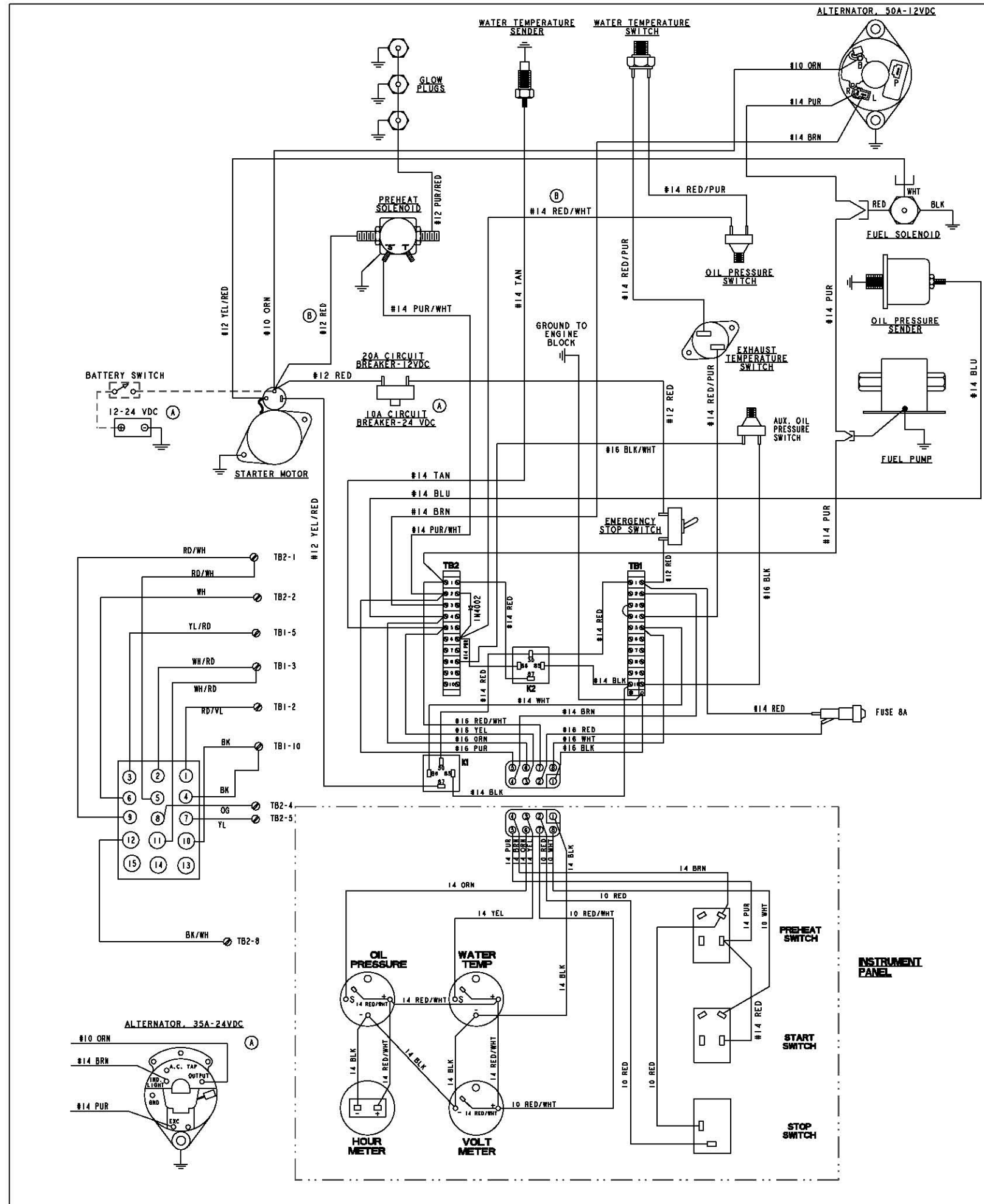


ECO NO.	DATE	REV.	REVISION RECORD	BY	CHK.
4370	1/11	1	CHANGED MODEL NUMBERS (8.0, 10.0, 12.5) TO 8.0 BTDA, 10.0 BTDA, 12.5 BTDS UPDATED DRN TO INCLUDE 24V.		CS
4758	1-3	1	#14 RED/WHITE WIRE WAS #14 RED; #12 RED WIRE FROM P.H. SOLENOID TO STARTER WAS FROM P.H. SOLENOID TO 20A BREAKER		WRM



TOLERANCES		WESTERBEKE CORPORATION AYON, MA. 02322	
INCHES	FRACTIONS	INCHES	MILLIMETERS
AS SHOWN	AS SHOWN	AS SHOWN	AS SHOWN
UNLESS OTHERWISE SPECIFIED		UNLESS OTHERWISE SPECIFIED	
SCALE: INCHES	1/8"	SCALE: MILLIMETERS	1:1
DATE: 1/21/90	BY: JWS	DATE: 1/21/90	BY: JWS
DRAWN BY: JWS	CHECKED BY: JWS	DRAWN BY: JWS	CHECKED BY: JWS
NO. OF COPIES: 10		NO. OF COPIES: 10	
PART NUMBER: 43647		PART NUMBER: 43647	